

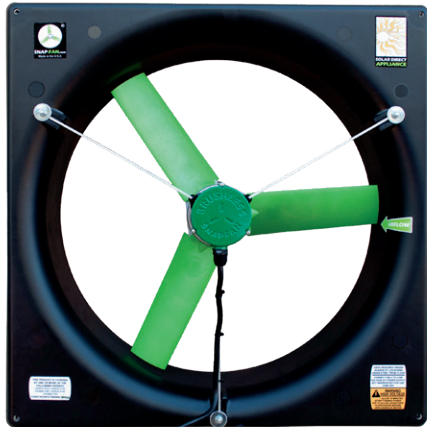
HIGH EFFICIENCY

DC POWERED VENTURI FANS



SNAP-FAN[®]

WWW.SNAP-FAN.COM



SOLAR DIRECT 3518 CFM 20" DC BRUSHLESS SOLAR FAN

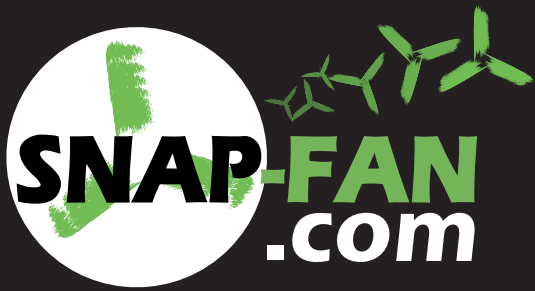
- High efficiency industrial grade Brushless Servo Motor. 0-50 VDC.
- Water resistant motor O-ring seals IP54.
- Specifically designed to operate solar direct on a 36, 60 or 72 cell solar panel.
- Soft start and thermal roll back locked rotor protection are standard features.
- Will operate on a 24 VDC battery bank.
- Patented low vibration aerodynamic motor mounting system reduces noise and improves efficiency.
- RPM limiting to 1800 RPM regardless of solar voltage.
- Glass reinforced polypropylene airfoil blade offers high efficiency and durability.
- All parts serviceable and/or replaceable.
- Warranty of 2 years against parts and labor.



SNAP-FAN 12" / 16" / 20" / 24" / 28"

EVOLUTION IN VENTILATION

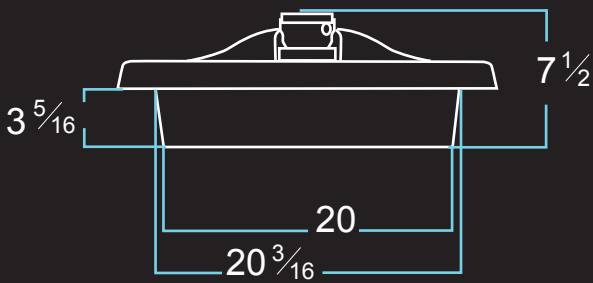
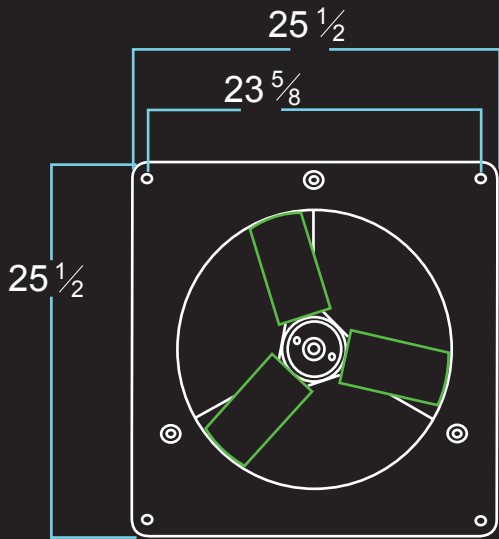
WWW.SNAP-FAN.COM



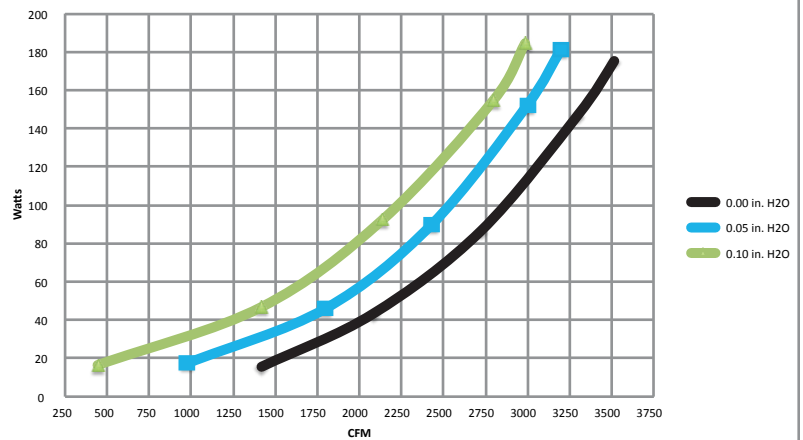
20" DC BRUSHLESS SOLAR FAN

SOLAR DIRECT PERFORMANCE

	STATIC PRESSURE (IN H2O)	AIRFLOW (CFM)	RPM	AMPS	WATTS	CFM/WATT
35 VDC	0.00	3518	1795	5.00	175	20.1
	0.05	3198	1758	5.16	181	17.6
	0.10	2985	1729	5.27	184	16.2
30 VDC	0.00	3298	1683	4.90	147	22.4
	0.05	2998	1648	5.06	152	19.7
	0.10	2798	1621	5.17	155	18.1
24 VDC	0.00	2721	1404	3.60	86	31.5
	0.05	2429	1375	3.77	90	27.0
	0.10	2138	1352	3.88	92	23.1
18 VDC	0.00	2080	1088	2.40	43	48.1
	0.05	1796	1060	2.57	46	39.1
	0.10	1418	1046	2.61	47	30.3
12 VDC	0.00	1418	747	1.30	16	90.9
	0.05	975	721	1.43	17	56.2
	0.10	443	729	1.37	16	26.9



20" DC Brushless Performance Range



ELECTRICAL EQUIPMENT. CHECK WITH LOCAL BUILDING CODES AND YOUR LICENSED CONTRACTOR BEFORE INSTALLING.

**HAND ASSEMBLED IN U.S.A.
BY SOLAR NATIONAL AIR PROPULSION, LLC
PATENTED DESIGN**