

# HIGH EFFICIENCY

## DC POWERED VENTURI FANS



# SNAP-FAN<sup>®</sup>

WWW.SNAP-FAN.COM



## SOLAR DIRECT 2038 CFM 16" DC BRUSHLESS SOLAR FAN

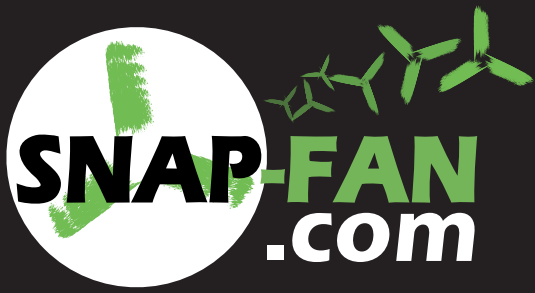
- High efficiency industrial grade Brushless Servo Motor. 0-50 VDC.
- Water resistant motor O-ring seals IP54.
- Specifically designed to operate solar direct on a 36, 60 or 72 cell solar panel.
- Soft start and thermal roll back locked rotor protection are standard features.
- Will operate on a 24 VDC battery bank.
- Patented low vibration aerodynamic motor mounting system reduces noise and improves efficiency.
- RPM limiting to 1800 RPM regardless of solar voltage.
- Glass reinforced polypropylene airfoil blade offers high efficiency and durability.
- All parts serviceable and/or replaceable.
- Warranty of 2 years against parts and labor.



# SNAP-FAN 12" / 16" / 20" / 24" / 28"

EVOLUTION IN VENTILATION

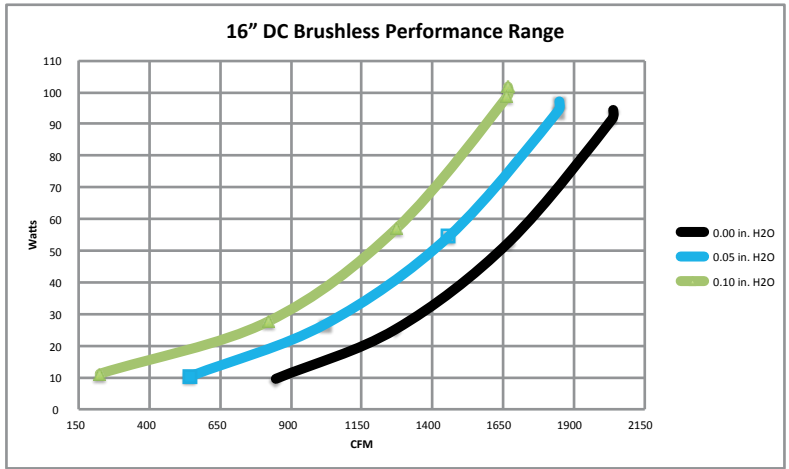
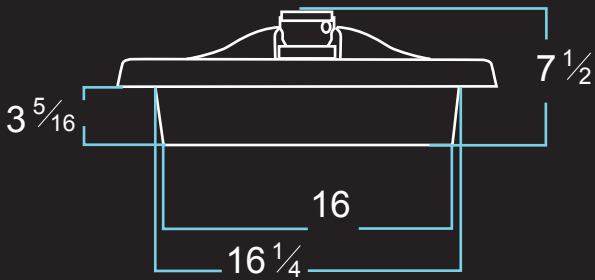
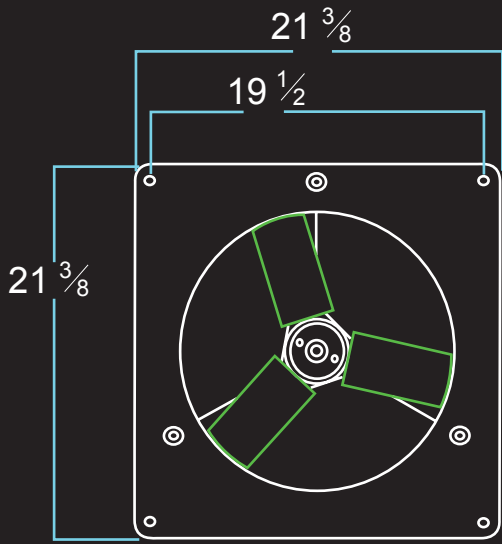
WWW.SNAP-FAN.COM



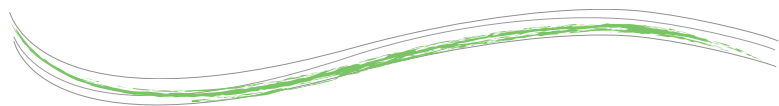
# 16" DC BRUSHLESS SOLAR FAN

## SOLAR DIRECT PERFORMANCE

	STATIC PRESSURE (IN H2O)	AIRFLOW (CFM)	RPM	AMPS	WATTS	CFM/WATT
<b>35 VDC</b>	0.00	2038	1793	2.70	95	21.6
	0.05	1847	1712	2.81	97	19.0
	0.10	1667	1694	2.91	102	16.4
<b>30 VDC</b>	0.00	2035	1790	3.05	92	22.2
	0.05	1844	1709	3.17	94	20.6
	0.10	1664	1691	3.29	99	19.5
<b>24 VDC</b>	0.00	1671	1461	2.20	53	31.6
	0.05	1457	1406	2.30	54	26.7
	0.10	1273	1395	2.39	57	22.3
<b>18 VDC</b>	0.00	1269	1114	1.40	25	50.4
	0.05	1021	1069	1.50	27	38.1
	0.10	819	1073	1.55	28	29.6
<b>12 VDC</b>	0.00	847	757	0.80	10	88.2
	0.05	544	729	0.87	10	52.3
	0.10	225	727	0.94	11	20.1



ELECTRICAL EQUIPMENT. CHECK WITH LOCAL BUILDING CODES AND YOUR LICENSED CONTRACTOR BEFORE INSTALLING.



**HAND ASSEMBLED IN U.S.A.  
BY SOLAR NATIONAL AIR PROPULSION, LLC  
PATENTED DESIGN**