

FlowLight Booster Pump and Solar SlowPump



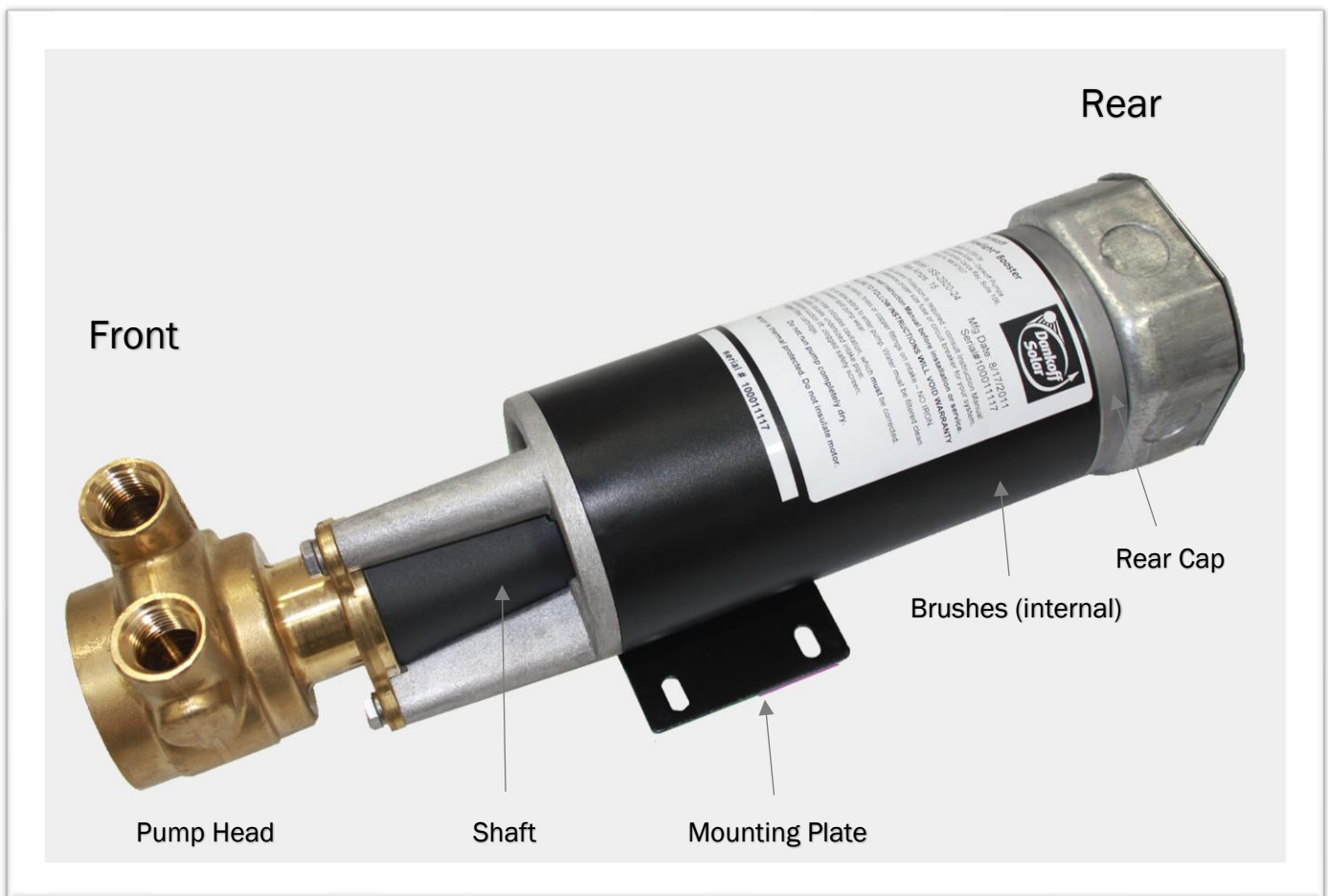
IMPROPER INSTALLATION WILL DAMAGE THE PUMP AND VOID THE WARRANTY

PLEASE READ AND SAVE THIS MANUAL

RECORD MODEL # _____ - _____ SERIAL # _____

This manual covers two similar product lines:

- Dankoff Solar SlowPump for water lift, powered by a battery or PV directly, and
- Dankoff Solar FlowLight Booster Pump for water pressurizing, powered by battery or DC Controller



Contents

- 1. WARNINGS..... 3
- 2. INSTALLATION REQUIREMENTS..... 4
- 3. PLUMBING SYSTEM DESIGN 5
- 4. ELECTRICAL WIRING 10
 - 4.2 FUSE OR CIRCUIT BREAKER PROTECTION..... 11
 - 4.3 DRY RUN SWITCH 11
 - 4.4 GROUND AND LIGHTNING PROTECTION..... 13
- 5. SOLAR ARRAY WIRING (FOR PV-DIRECT SYSTEMS)..... 14
- 6. SOLAR SLOWPUMP – POWER CONTROL FOR PV-DIRECT (NON-BATTERY) OPERATION..... 16
- 7. BATTERY SYSTEMS 17
- 8. TROUBLESHOOTING 19
- 9. MAINTENANCE..... 23
- 10. PUMP REPAIRS..... 24
- 11. NOTES TO INSTALLERS..... 26



1. WARNINGS

Please review the following warnings. These are listed for both personal safety and the safety of the products. Disregarding or ignoring these warnings can result in **SERIOUS INJURY** and/or **VOID THE WARRANTY**. If this system is being installed without a licensed pump installer, an electrician or knowledge of electrical circuits is **HIGHLY** recommended.

If any questions or concerns regarding these warnings should arise, please contact your local Dankoff Solar dealer or Dankoff Solar Technical Support at 1(505) 395-2491. Dankoff Solar Pumps and/or its parent company, Solar Power & Pump Co, is **NOT LIABLE** for any **DAMAGE** or **INJURY**.

- The system should be installed and serviced by qualified personnel only. All electrical codes should be observed. Make **ABSOLUTELY CERTAIN** all power sources are disconnected prior to wiring.
- Extreme heat can damage the pump. Protect the pump from sunlight or other heat sources.
- Install proper system grounding for safety and lightning protection. Proper grounding can significantly reduce the chance of extreme damage. See Section 4.4 Grounding and Lightning Protection
- Under-sizing the wires or failing to install a fuse or circuit breaker can cause a Fire Hazard and cause damage to the motor. Follow all guidelines in Section 4
- Do not touch solar panel or pump wires together to test for a spark.
- Do not run the pump dry.
- The use of a filter is required. For details, see Section 2 Installation Requirements

2. INSTALLATION REQUIREMENTS

Non-submersible pumps

Do not submerge pump or motor in water. Do not allow water to drip on the motor. Protect the pump and motor from sunshine. If the pump is installed outdoors, supply weather protection, such as a sheet-metal shield, shed or well house.

Filtration requirements

Traces of sand, clay, rust or other solids will cause rapid wear or immediate damage to the pump. If the water source is crystal-clear at all times, the Fine Intake Strainer on the pump intake will provide sufficient protection. However, because water conditions are subject to change, it is good insurance to use an intake filter (debris damaged pumps are not covered under warranty).

Iron pipe and/or fittings will introduce abrasive rust particles if installed on the intake side of the pump (pipes rust, even if galvanized). Pipe that is dirty inside (even new pipe) or has mineral deposits in it will also introduce dirt. Dirt is introduced as pipe joints are assembled, especially when assembled in a trench. Therefore, make sure inlet lines and fittings are flushed clean before installing the pump.

The 30-Inch Intake Filter/Foot Valve (PN – 11035) is necessary for pumps lowered into wells. The 10-Inch Inline Filter (PN – 11033) is recommended for all other installations and should be installed close to the pump's intake. If filters are expected to clog often, maintenance may be minimized by plumbing two or more filters in parallel. The 10-Inch Inline Filter has a clear bowl that allows direct observation of the filter condition.

A filter cartridge may look clean and still be clogged with fine silt embedded in the fibers. If the pump becomes increasingly noisy over time, it is usually due to a clogging filter cartridge and indicates a filter cartridge change is required. A cartridge that is discolored may not be clogged. As long as the pump runs quietly, the filter is good.

Replacement cartridges are available from your dealer, local water suppliers or directly from Dankoff Solar. Always keep spare cartridges on hand.

Pump must not run dry

Water is the lubricant for the pump. If the pump runs completely dry, it will overheat and fail. If pumping from a tank, cistern or any water source that can run low accidentally, a Dry Run Sensor or Float Switch must be used.

The Dry Run Sensor (PN – DRS1300 or DRS2500) is a thermal switch that attaches directly to the front of the pump. When the pump becomes hot from dry running, the sensor will open (red button will pop out) and remove power from the pump motor. Push the red button in to reset the switch, after water is restored.

The dry run switch must be clamped tightly to the front (red plate) of the pump. The round metal surface must make firm contact against the red plate to sense temperature correctly. To adjust the Sensor, loosen the clamp and press the brackets further onto the pump so the contact is tight.

A Float Switch (PN – 11004, pump down switch) placed in the supply tank is an alternative to the Dry Run Sensor. The switch is closed when the tank water supply is at a high level. When the water level drops to a low level, the switch will open and remove power from the pump motor. The Float Switch has two advantages over a Dry Run Sensor in that the Float Switch will close and start the pump motor when the water level rises, and the pump will not lose prime.

3. PLUMBING SYSTEM DESIGN

Illustrations by Home Power Magazine

Figure 3-1: Pressurizing System

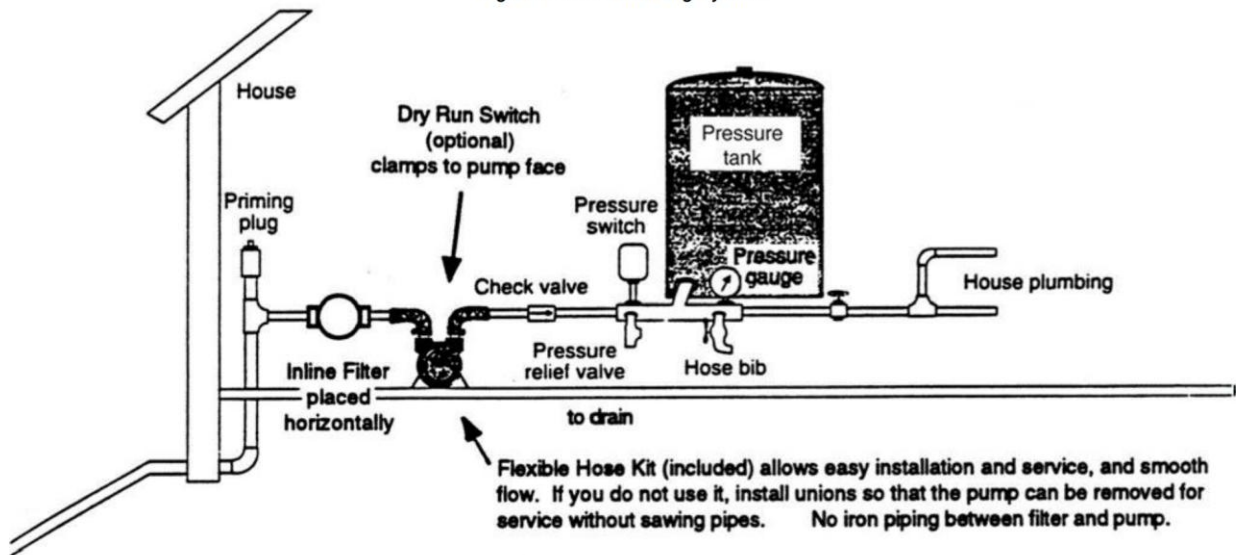
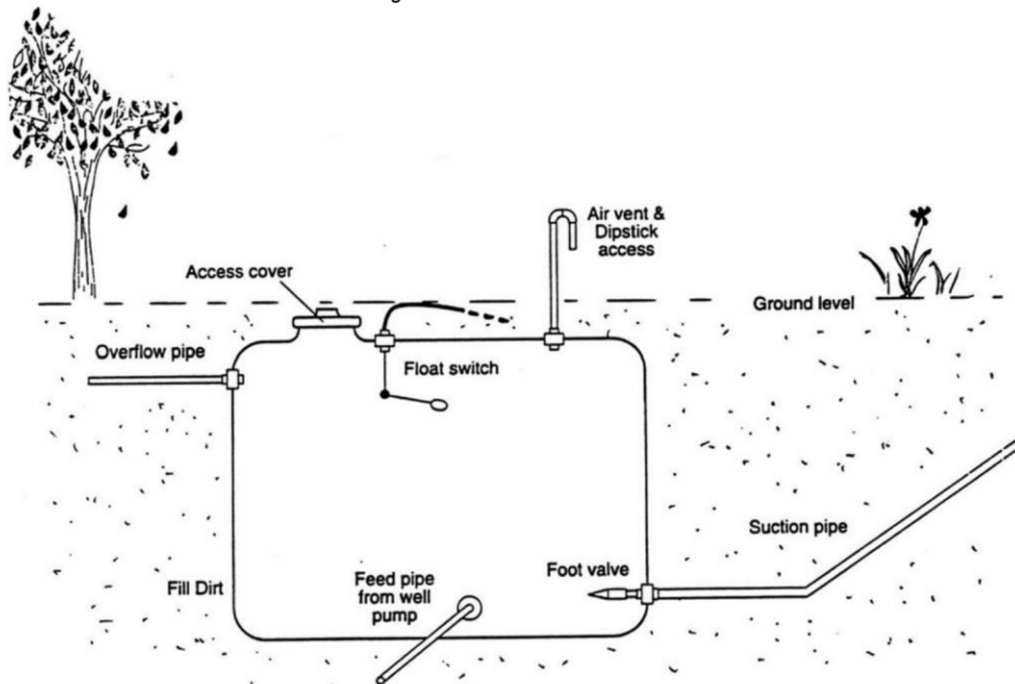


Figure 3-2: Buried Plastic Tank



It is preferable to place the pump lower than the water level in the tank. Note the upward rise of the suction pipe, the high position of the priming plug, and the horizontal position of the filter. Taking these measures help to prevent air entrapment that restricts flow and causes pump noise.

Minimize Suction Lift – Suction lift refers to the pressure (negative pressure) on the suction (inlet) side of the pump. As the vertical distance from the pump inlet to water increases, the suction lift pressure also increases. The practical suction/intake pipe limit for any pump is 20 vertical feet to water at sea level (subtract 1 ft. for every 1000 ft. of elevation). Limiting the pipe length to 2 to 3 feet will allow the pump to run quietly and more reliably. Placing the pump downhill from the water source also helps to minimize suction lift.

Intake Pipe – Keep the intake pipe distances as short as possible. Do not use thin-wall hose or soft tubing on the pump's intake. It may collapse under suction and restrict the flow. Polyethylene pipe (black flexible Polypipe) can be prone to slight leakage at the fittings, ensure all connections are watertight.

Increase pipe size as the distance from the water source increases. Use pipe reducer fittings to adapt the pump's inlet or outlet to a larger pipe size where necessary.

The intake pipe must not be obstructed or restricted by undersized pipe, excessive suction lift, or a clogged filter. Excessive suction at the pump inlet causes cavitation (formation of vapor bubbles). Cavitation causes a very loud buzzing noise and also causes rapid wear to the pump. A slight buzzing noise is acceptable.

Avoid humps in the intake line that can trap air pockets and block the flow.

Ensure the intake pipe is free of leaks.

Inline Filter – The inline filter should be mounted horizontally and as low as possible to prevent air in the filter from blocking water flow. Leave space below the filter for a pan to catch water when replacing the filter cartridge.

Some inline filters may have a red push-button valve to release pressure for maintenance. If the filter is incorrectly installed (too high above the water source) the suction may pull the valve open and introduce air. To prevent this, seal the push-button with silicone sealant or epoxy, or replace the button with a bolt and nut, sealed with silicon and tightened down.

Foot Valve – The foot valve is a valve installed at the water intake that allows water to flow in one direction only. It is required in any case where the pump is located higher than the low-water level in the source. Use a high quality spring-loaded foot valve to avoid loss of prime.

The 30-Inch Intake Filter/Foot Valve (PN – 11035) or Fine Intake Strainer Foot Valve (PN – 11044) are recommended. The strainer prevents debris from catching in the foot valve and causing loss of prime.

Priming the Pump – Priming a pump means filling its intake pipe completely with water. This must be done if the pump is mounted higher than the water source. A removable plug or ball valve (if frequent priming is expected), should be installed at the highest point in the intake plumbing. Prime the pump and intake line by pouring water into the opening until it is completely full. The foot valve keeps the pump primed by preventing water from back flowing into the water source.

The pump will create enough vacuum to Self-Prime to around 10 feet (less at high elevations), but only when it is in new condition and wet inside.

Check Valve – A check valve, which allows water to flow in only one direction, is required if there is more than 30 ft. of lift above the pump, or in any pressurized system. This allows the pump to start easier. It also prevents back-flow when changing filter cartridges. Ensure the valve is installed correctly (the arrow indicates the direction of water flow).

Pipe Unions – If rigid piping (copper or PVC) is directly plumbed to the pump, unions are required. Unions make pump replacement easy, without the need to cut and re-solder or re-glue the pipe.

“Copper Flex Connectors” commonly used for water heaters may be used instead. Do not use them for the larger SlowPump models (2507 or 2607) or Booster pumps as they are too restrictive.

Pressure Tank – A pressure tank is required with a pressurizing Booster Pump system. Pressure tank size will vary depending on the application. For household applications, a 40 gallon size is typical. It allows approximately 12 gallons of water between pump cycles, which may be drawn at a higher flow rate than the pump produces.

A larger pressure tank will minimize on/off cycling of the pump. In a typical household of four people, a tank of at least 60 gallons is recommended. More than one pressure tank may be connected and does not need to be the same size.

A pre-charged "captive air" pressure tank requires a proper pre-charge (adding correct air pressure to the tank before use). Follow the instructions that come with the pressure tank. With water discharged from the tank, adjust pre-charge to 2-3 PSI below pump cut-in (turn-on) pressure. Pressure tanks are available from Dankoff Solar or local water supply dealers.

Pressure Switch – A pressure switch is a mechanical device that starts and stops the pump motor when certain pressure ranges are reached. Two spring loaded screws are used to adjust Cut-in and Cut-out.

- The low limit is the “cut-in” (motor start) pressure for the pressure tank. Typical cut-in pressures are 20 to 40 PSI.
- The high limit is the “cut-out” (motor off) pressure of the pressure tank. Typical cut-out pressures are 50 to 60 PSI.

Plumbing systems that are powered by solar often run lower tank pressures than typical AC systems to conserve power (especially battery systems).

The National Electrical Code® specifies that pressure switches never disconnect the “grounded conductor”, which is the negative. Disconnect only the positive conductor. Using both sets of contacts as shown (in series) will extinguish the arc (spark) that forms when the contacts break. This greatly increases switch reliability.

Follow the pressure switch instructions for wiring. Use the flexible hose that comes with the Booster Pump (cut it into two sections). The Easy Installation Kit contains the tee fitting at the tank, a DC rated pressure switch, and all the small parts shown between the pump and the house plumbing.

Pressure Switch Adjustment – Spring-loaded screw adjustments set the pressure range of the system. On solar systems, set the pressure as low as practical to conserve energy. This also helps prevent the motor from overheating if run for long periods of time; sprinkling, for example. Low pressure (even 15-20 PSI) can deliver excellent water flow if the plumbing and hoses are sized larger than minimum/standard. Use at least one size larger pipe than conventional plumbing and avoid restrictive connections such as 3/8" tubing often used to feed sinks.

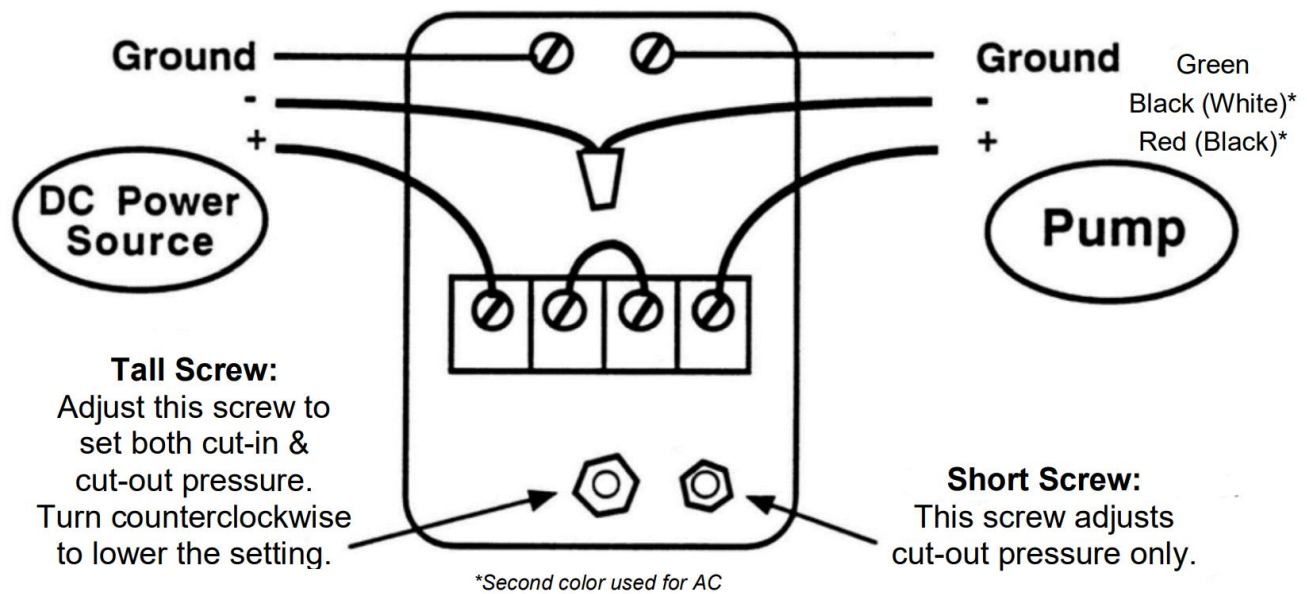
If raising water vertically and pressurizing, both the lift (2.31 feet of lift is equal to 1 PSI) and pressure tank PSI must be added.

Example: A pump that lifts 23 vertical feet and pressurizes to 30 PSI must pump a total of 40 PSI. Total Lift is equal to the vertical distance from water surface to pressure tank.

Start with the standard setting (usually 30/50 PSI) and reduce it if possible to conserve power (especially on battery systems). Current draw will rise in direct proportion to outlet pressure. Pressure should not be set beyond 50 PSI Maximum (65 PSI with 2910 Model) or loss of efficiency and motor over-heating will result.

After any change to the cut-in pressure, readjust the pressure tank pre-charge.

Figure 3-3: Pressure Switch Wiring



Float Switch – A float switch is a mechanical device that opens or closes a contact depending on its orientation in the water. A float switch may be used if dropping water level is causing a dry run condition or in a storage tank, pond or cistern to turn the pump off when full.

- A Pump Down (Normally Open) switch closes the contacts when the water level is high. Typically a Pump Down switch is used with a pump controller to indicate the tank is full.
- A Pump Up (Normally Closed) switch opens the contacts when the tank is full. A Pump Up switch is wired in line with one power wire of the pump motor.

Most float switches are rated for 15 AMPS at 230 VAC, ensure your motor does not exceed the capacity of the switch.

Mounting the Pump – The pump may be mounted horizontally or vertically. If mounted vertically, suspend from a rope and face the pump head downward. Rigid mounting is not required in most installations. Observe the pump and ensure that it does not overstress or loosen pipes as it starts. In non-battery systems, starting is gradual and the pump does not torque with the start. In a battery system, the pump will jerk slightly, but mounting it to a small wooden board is sufficient to stabilize it. Mounting the pump directly to a wall or wood floor will increase the noise.

Freeze Protection – Take every precaution to prevent the pump from freezing. The forged brass pump head will survive most light freezes, but a hard freeze may damage it. If the pump is insulated for freeze protection, keep the motor exposed to prevent overheating.

Adjustable Pressure Relief Valve – If freezing of the outlet pipe is expected, the frequent necessity of replacing fuses or resetting the breaker may be avoided by installing an adjustable pressure relief valve at the pump outlet. The valve will redirect water to flow into the well or diversion pipe when the outlet pipe is blocked. Order the valve from a dealer or electric/plumbing. To adjust the valve, ensure water has reached the highest point in the system. Loosen the valve until water starts to run, then tighten it gradually just past the point where it stops. Be sure water will not drip onto the motor/pump.

Water will slowly drain back through the pump if desired by removing the check valves or foot valve. Pump must have suction draw of no more than a few feet. If pump drainage is required, position pump vertically (head downward) or horizontally with intake and outlet facing downward.

Pressure Relief Valve - Flowlight Booster Pumps are supplied with a 75 PSI Pressure Relief Valve as a safety feature. If the pressure switch fails, excessive pressure may cause the pressure tank or piping to burst. (A properly sized fuse or circuit breaker should disconnect pump power before the relief valve opens, the Pressure Relief Valve adds another layer of protection).

Install the Pressure Relief Valve on the "Accessory Tee" of the pressure tank. Run a pipe or hose from its outlet to a drain pipe or to the outdoors where water can drain away safely.

A Gate Valve and Drain Valve are not required but are highly recommended (see diagram) for convenience during system shut-down. The drain valve is a garden hose outlet which allows easy draining of the system. It also allows water delivery by hose to the house during installation or repairs to plumbing.

The Easy Installation Kit (PN – EZ2900) contains all the components to make installation simpler and faster. The kit contains a pressure switch, pressure gauge, tank tee, shutoff (ball) valve and hose bib (drain valve) plus the necessary pipe nipples.

4. ELECTRICAL WIRING

Direct Current (DC) electric motors typically require far more current (amperage) than Alternating Current (AC) motors. The size of wire required to safely run a DC motor is determined by the length of the circuit run and maximum amperage draw of the DC motor on the pump.

Warning!

Under-sizing the wire to the motor can cause a Fire Hazard!

On Dankoff Solar pumps the red wire is positive(+), black wire is negative(-), and green wire is ground.

Reversing polarity of the wires will cause reverse rotation of the motor. This will not cause damage if done for a short time. When facing the front of the pump, the pump shaft turns clockwise when polarity is correct.

4.1 WIRE SIZING

If the distance of the power circuit is longer than the factory installed wire, consult the chart below to find the correct gauge wire to splice onto the factory installed wire. Always use the Maximum Current Rating of the motor to determine wire size.

Figure 4-1: Wire Sizing Chart

Length (feet)	Current (amps)									
	5	10	15	20	25	30	40	50	60	70
15	16	12	10	10	8	8	6	6	4	4
20	14	12	10	8	8	6	6	4	4	4
25	14	10	8	8	6	6	4	4	2	2
30	12	10	8	6	6	4	4	2	2	2
40	12	8	6	6	4	4	2	2	1	1/0
50	10	8	6	4	4	2	2	1	1/0	1/0
60	10	6	6	4	2	2	1	1/0	2/0	2/0
70	10	6	4	2	2	2	1/0	2/0	2/0	3/0
80	8	6	4	2	2	1	1/0	2/0	3/0	3/0
90	8	4	4	2	1	1/0	2/0	3/0	3/0	4/0

American Wire Gauge (AWG)

Example 1: The motor is rated at 10 Amps maximum current draw and the solar panels are 30 feet away. The correct wire size is 10 gauge (10 AWG).

Example 2: The motor is rated at 7 Amps maximum current draw and the batteries are 50 feet away.

The correct wire size is 8 gauge (8 AWG). Always use the next higher rating on the chart if there is not an exact match for the motor amperage rating.

4.2 FUSE OR CIRCUIT BREAKER PROTECTION

FAILURE TO INSTALL A FUSE OR CIRCUIT BREAKER WILL VOID THE WARRANTY

If water flow becomes blocked, or if the pump jams or freezes and cannot turn freely, the motor will draw excessive current. A fuse or circuit breaker opens the circuit before excessive current can damage the motor and wiring.

Amp Rating of fuse or breaker – Find the “Amp Rating” of the motor, then multiply that value by 1.35 (taken to the next standard value).

Example 1: The “Amp Rating” of the motor is 10 amps. $10 \times 1.35 = 13.5$. The next standard size fuse/breaker is 15 amps. Use a 15 amp fuse/breaker in this circuit.

Example 2: The “Amp Rating” of the motor is 2.7 amps. $2.7 \times 1.35 = 3.6$. The next standard size fuse/breaker is 5 amps. Use a 5 amp fuse/breaker in this circuit.

Install the fuse or breaker at the power source, to protect the wiring as well as the motor.

If the circuit is protected by a breaker, any additional fuse may be installed at the motor.

If a Linear Current Booster is being used (for PV-direct SlowPumps) install the fuse/breaker between the current booster and the pump. Find the Max Amp rating of the LCB and the Max Amp rating of the motor and use the lower number as the Amp Rating of the fuse/breaker. This will protect the booster as well as the motor and wiring from overload.

Fuses – A circuit breaker is recommended over a fuse. If a fuse is used, A time-delay 3” fuse in a water resistant disconnect enclosure is the best choice. A disconnect provides fuse protection and acts as a shut-off switch for the pump. They are available from Dankoff Solar or may be purchased at any electric supplier.

An automotive in-line fuse holder may also be used on 12 or 24 VDC systems. Automotive blade fuses (type ATC) have sufficient time-delay and are preferred over glass fuses. Use good quality fuse holders protected from weather, and keep spare fuses handy. NEVER SUBSTITUTE A LARGER FUSE!

Circuit Breakers – Use a good quality DC breaker. AC breakers cannot be used for low voltage DC circuits. The SQUARE-D® QO or QB-series circuit breakers are safe up to 48 volts DC and are available in many amperage ratings. MidNight® Solar Inc. also has an extensive line of DC circuit breakers and enclosures and are available from retailers online.

4.3 DRY RUN SWITCH

The Dankoff Solar Dry Run Switch is an optional accessory that disconnects power when the pump head becomes hot from running dry. It is a thermostat switch that clamps to the pump head and is connected into the motor circuit like an on/off switch. It has a push-button and must be reset manually.

Installation

Facing the pump head, loosen the lower left hand bolt* that connects the pump head to the motor mount (*For SlowPump 2500/2600 or any Flowlight Booster; the lower right hand bolt can also be used).

Slip the switch assembly over the front of the pump and slide the slot in the bracket under the loosened bolt head.

The round, flat silver surface of the thermostat must press firmly against the pump face. Re-tighten the bolt. Slide a small piece of paper between the pump and switch to test for a tight fit. If it slides through easily, bend the Dry Run Switch bracket inward.

The thermostat must press tightly against the pump head face or it will not function properly! Mount the pump so that access to the red push-button on the switch is not obstructed.

Dry Run Switch Wiring

The Dry Run Switch is connected in line with the positive conductor of the pump motor (see Figure 4-2: Dry Run Switch Wiring Diagram).

Dry Run Switches produced by Dankoff Solar after 06/2016 use 12 gauge, two conductor SJOOW cable. The switch body is grounded to the pump through the bracket.

All 06/2016 or later Dankoff Solar DC motors:

- Red is Positive (connect the Dry Run Switch in line with this wire)
- Black is Negative
- Green is Ground

All 06/2016 or later Dankoff Solar 120 VAC motors:

- Black is L1 (hot, connect the Dry Run Switch in line with this wire)
- White is Neutral
- Green is Ground

Dry Run Switches produced by Dankoff Solar before 06/2016 use 12 gauge, three conductor SJOOW cable. The switch body is grounded to the pump through the green ground wire.

Silver Body Pre-2009, 1300 and 2500 DC SlowPumps, Silver Body Pre-2009, DC Flowlight Booster Pumps and 115 VAC SlowPumps and Flowlight Booster Pumps:

- Dry Run Switch & Motor Green – Ground
- Motor White – Negative DC (Neutral AC)
- Motor Black – Positive DC (L1, AC) - The Dry Run Switch is connected in line with this wire

400 & 2600 DC SlowPumps, Post-2008 1300 DC SlowPump, Post-2008 2910 & 2920 DC Flowlight Booster Pumps, 2930-48 DC Flowlight Booster Pumps:

- Dry Run Switch & Motor green – Ground
- Motor Black – Negative
- Motor Red – Positive - The Dry Run Switch is connected in line with this wire

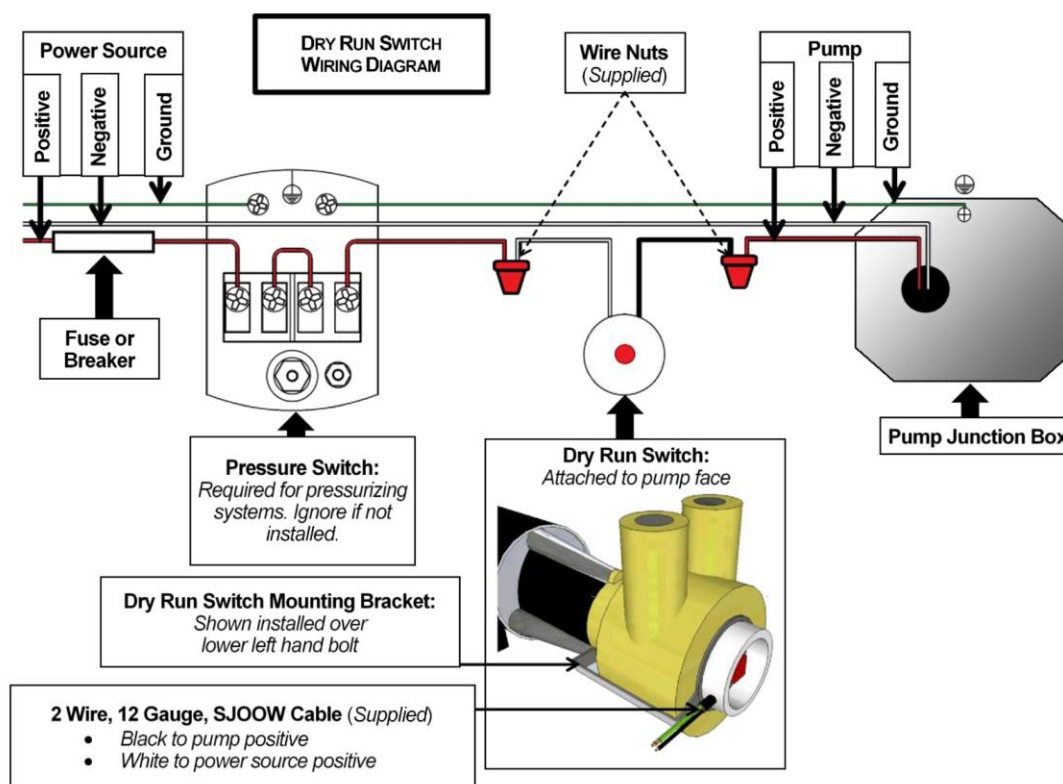
The grounding bolt is located inside the junction box on 1400/2600 and AC series SlowPumps, 2920-115 and 2930-48 Flowlight Booster Pumps.

Operation

In the event of dry run and pump shut down:

- Wait until the water source has refilled and the pump head has cooled, then Reset the switch by pressing the red button.
- The pump may need to be re-primed (fill the intake line) if it is mounted higher than the water source.

Figure 4-2: Dry Run Switch Wiring Diagram



4.4 GROUND AND LIGHTNING PROTECTION

Proper grounding will greatly reduce risk of lightning damage to the motor.

A proper ground system consists of a minimum of one 8 ft. copper-plated ground rod driven into the ground, preferably in a moist spot close to the PV array. If available, a steel well casing is an excellent grounding point; drill and tap a bolt hole to make good electrical contact with it.

In a dry, lightning-prone location, use more than one ground rod at least 10 ft. apart. Bury bare copper wire between them. Use minimum #8 ground wire (larger for distances exceeding 20 ft).

In a rocky location, where ground rods can't be driven, bury 150 ft (total) of bare copper wire, radiating out in two or more directions from the PV array. Try to contact moist earth as much as possible. Use only copper or bronze electrical connectors designed for grounding application, and ensure all connections are well secured.

Connect the ground system to the frame of the PV array with 8 AWG copper wire. Also ground metallic support structures and electrical enclosures.

5. SOLAR ARRAY WIRING (FOR PV-DIRECT SYSTEMS)

Warning – The photovoltaic array generates hazardous voltages. A 48 Volt (nominal) array can generate nearly 100 volts when disconnected from load. All wiring **MUST** be done by qualified personnel, in compliance with local, state, and national electrical codes.

To prevent shock hazard while working on array wiring, leave one wire disconnected between two modules to break the circuit, or cover array to shade it.

Attention – Wiring the panels in the wrong configuration (series or parallel) can damage the controller and/or pump. Be certain of the wiring configuration (See Figure 5-1: Solar Panel Wiring Diagram for examples) prior to connecting the array. Additionally, it is recommended to cover or shade the panels when connecting them to the controller or pump. This prevents electrical discharge from damaging the equipment. Any damage caused by disregarding these warnings will **NOT** be covered under the warranty.

If the system uses only a single panel, simply connect the positive (+) and negative (-) wires from the panels to the pump or controller; however, if more power or voltage is needed to meet the pump requirements, multiple panels will have to be wired in either series, parallel, or series/parallel. Examples are provided below to better explain the differences between these configurations.

Examples

For these examples, a common 195W (24V) Panel Rating – VMP: 38.16 VDC; VOC: 45.36 VDC; I: 5.10 amps will be used.

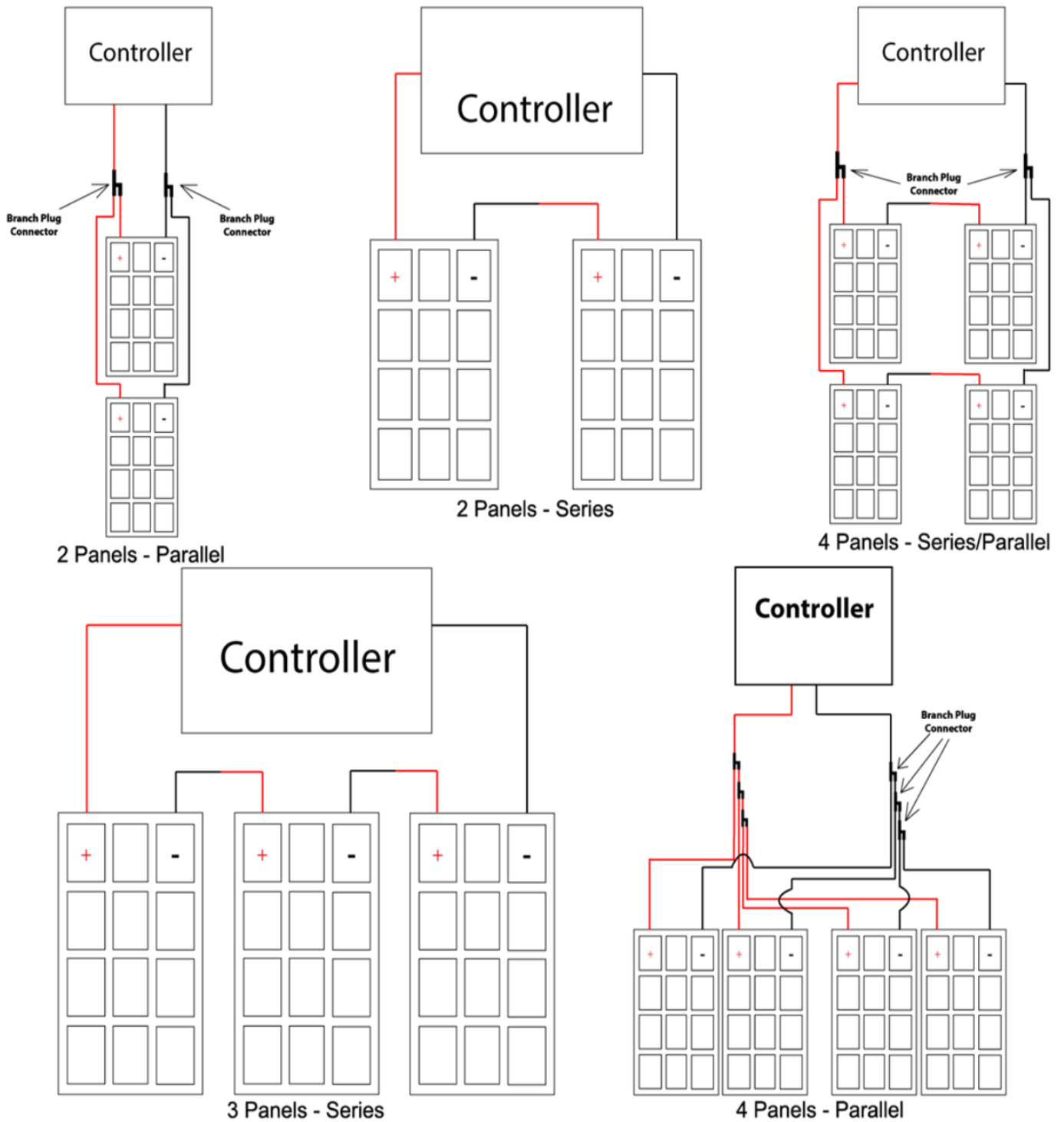
Parallel – Solar panels that are wired in parallel combine their wattage and their amperage, while the voltage remains the same. In the first example (2 Panels – Parallel) on Figure 5-1, the positive (+) ends of each panel are connected via a branch connector. The same is done for the negative (-) ends of each panel. Because this is wired in a parallel configuration, the voltage remains constant at 38 VDC (VMP or average up to 45.36 VDC open circuit), the watts are doubled to 390W (195W x 2), and a current of 10.20 amps (5.10 amps x 2) is present. Adding extra panels in parallel increase the amperage available (for higher pumping pressure) to the pump and increased hours of pumping time when compared to a single panel system.

Series – Solar panels that are wired in series combine their wattage and voltage, while the amperage remains constant. This is displayed in the second example (2 Panels – Series) on Figure 5-1. The positive (+) end of the first panel connects to the pump or controller, while the negative (-) connects to the positive (+) of the second panel. The second panel's negative (-) connects to the pump or controller, completing the circuit. Since this array is wired in series, the voltage doubles to 76 VDC (VMP or average up to 90.72 VDC open circuit), the watts double to 390W (195W x 2), and the current remains the same at 5.10 amps. The most common need for this configuration is to power a higher voltage motor.

Series/Parallel – The third example (4 Panels – Series/Parallel) on Figure 5-1 shows two parallel strings of two panels in series. Each string of two panels in series produces 76 VDC (VMP or average up to 90.72 VDC open circuit), 390W, and 5.10 amps. The two strings connected in series/ parallel produces 76 VDC (VMP or average up to 90.72 VDC open circuit), 780W, and 10.20 amps. This configuration is reserved for higher voltage pumps that require more current than a single string of solar panels wired in series can provide.

Solar Panels can be wired in a number of variations to produce the desired Watt/Voltage/Amperage configuration. Below are examples of the most common 2-4 panel wiring configurations, including panel arrays configured in series, parallel, and a combination of the two.

Figure 5-1: Solar Panel Wiring Diagram

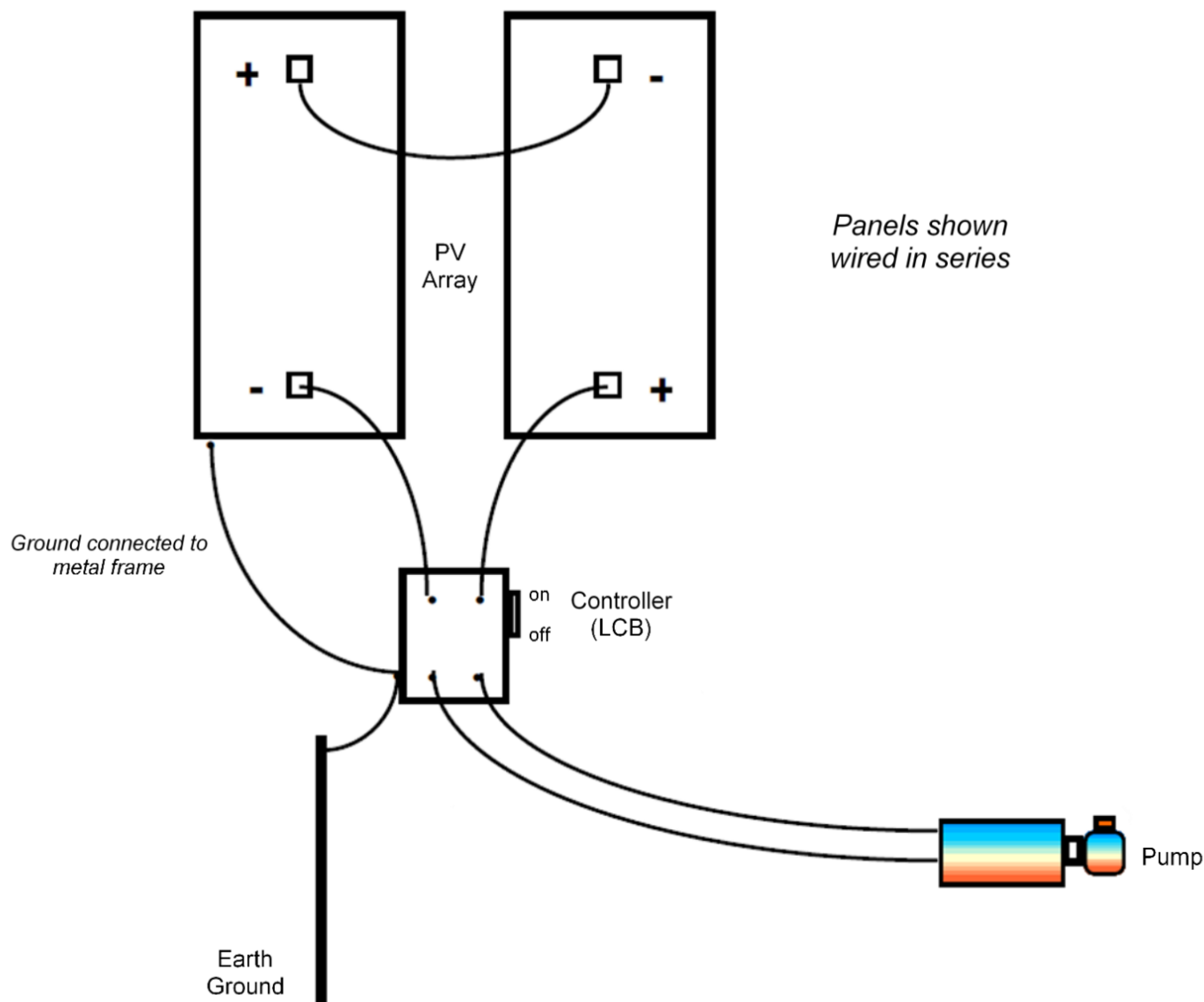


6. SOLAR SLOWPUMP – POWER CONTROL FOR PV-DIRECT (NON-BATTERY) OPERATION

When working against a constant head (vertical lift) pumps require constant current (amperes). In low light conditions the PV array cannot supply full current. The pump will load the solar array, voltage will drop to nearly zero and the pump will stall. A Pump Controller or Linear Current Booster is an electronic device that can greatly improve low light performance. It will match the power source to the load by transforming the voltage down while increasing the current delivered to the motor.

Contact Dankoff Solar or a dealer if the system doesn't have a controller or current booster

Figure 6-1: System Wiring for Typical PV-Direct SlowPump Installation

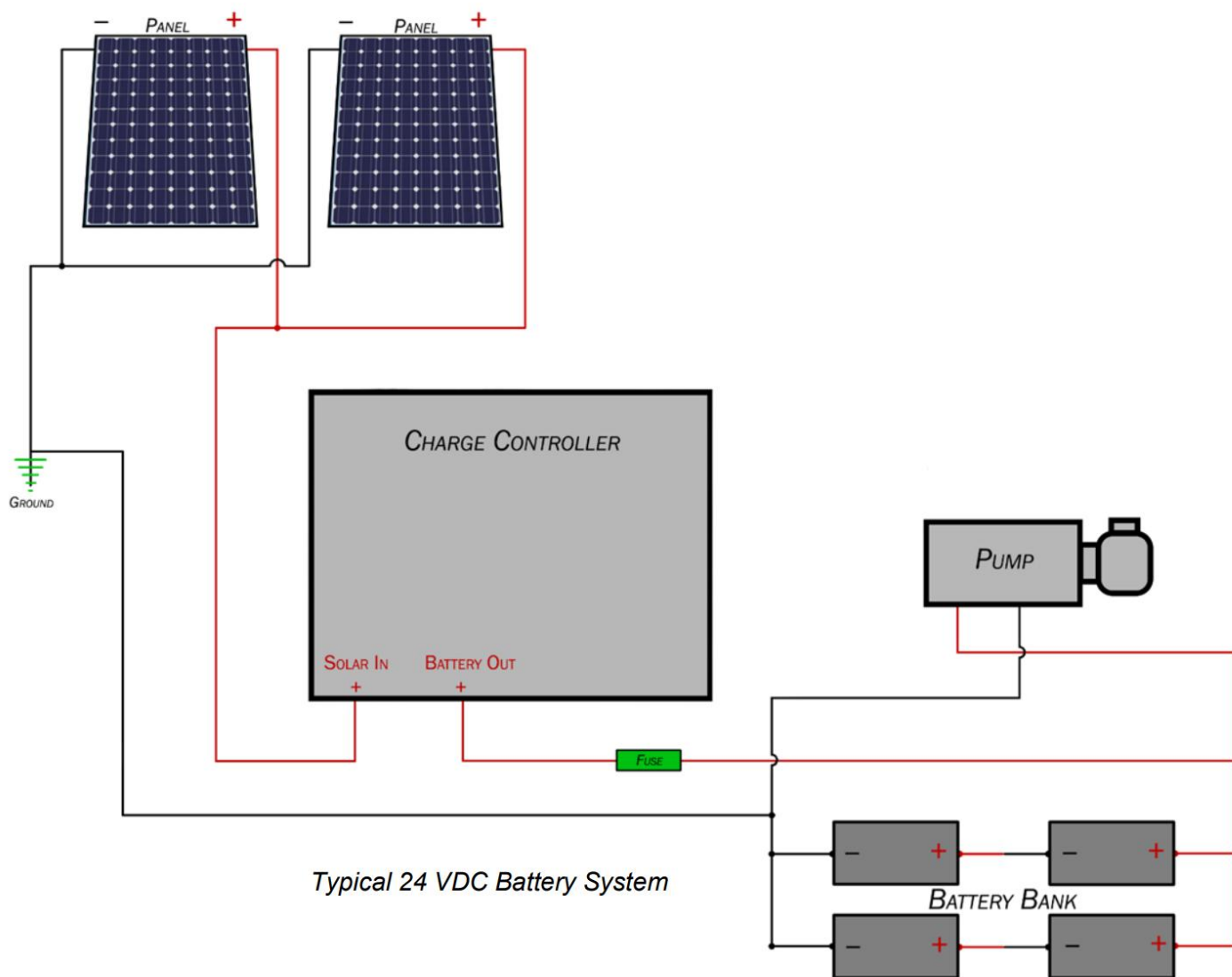


7. BATTERY SYSTEMS

FLOWLIGHT BOOSTER PUMPS REQUIRE A BATTERY SYSTEM (12 OR 24 VDC) or DC CONTROLLER TO OPERATE CORRECTLY.

NEVER CONNECT A FLOWLIGHT BOOSTER PUMP DIRECTLY TO THE SOLAR PANELS.

Figure 7-1: Battery Charge Controller Wiring Diagram



Battery System – The battery system voltage is determined by the motor voltage. A 12 volt motor requires a 12 volt battery bank; a 24 volt motor, a 24 volt battery bank, etc.

A battery's size (capacity in Amps) is measured in Amp Hours, the higher the Amp Hour Rating, the more amperage is available between charges.

The run time of the pump (when no sunlight is available) is directly proportional to the size of the battery or battery bank.

Adding more batteries to the battery bank or increasing the size of the batteries in the battery bank increases the overall amperage available and increases run time.

The charge time of the battery bank is determined by the amperage available from the solar array.

Large solar arrays with high current output will charge a battery bank to full charge at a much faster rate than small (or single panel) arrays.

The solar array must be sized large enough that, with the pump running at full capacity, the battery bank will still charge simultaneously.

The solar array must have a DC voltage output higher than the peak charge voltage of the battery bank (A typical 12 volt battery is fully charged when its voltage reaches 14.1 VDC).

Solar panels may be connected in series, parallel and series/parallel (see page 14) to increase voltage and amperage output.

The DC output from the solar array goes directly to a charge controller. The charge controller is an electronic device that regulates the correct voltage to the battery bank to ensure proper charging. It is sized to the array by voltage (12, 24 or 48 VDC are common), and amperage requirements. Charge controllers rated from 2 to 25 Amps DC output are common and large battery banks often have controllers capable of 60 Amp outputs or higher. The higher the current capability of the charge controller, the faster the recharge time of the battery bank.

Batteries may be connected in series and parallel (like solar panels) to achieve the desired voltage and amperage requirements of the pump.

A 12 VDC motor will typically use two or more 12 VDC batteries connected in parallel (positive to positive, negative to negative) to power the pump.

A 24 VDC motor (Figure 7-1) will typically use two 12 VDC batteries connected in series (positive to negative) to attain the required voltage. Two more batteries connected in series can be added in parallel to increase the battery banks storage capacity, and the pumps run.

WHEN DESIGNING A BATTERY SYSTEM, ALL BATTERIES MUST BE OF THE SAME SIZE (AMP HOUR RATING) AND VOLTAGE.

Example 1: Correct – Four 6 VDC, 120 AH batteries in series to produce 24 VDC.

Example 2: Correct – Two 12 VDC, 92 AH batteries in series to produce 24 VDC.

Example 3: Incorrect – One 12 VDC, 92 AH battery and two 6 VDC 120 AH batteries in series to produce 24 VDC.

8. TROUBLESHOOTING

Thermal Overload – A Thermal Switch disconnects power from the motor in the event of overheating. It is mounted on the rear of the motor. It will reconnect power after a cooling period of approximately 20 minutes. If overheating occurs during normal operation of the pump, it may be because it is working beyond its rated capacity.

Pump Will Not Fit Into a 6" Casing – Close Elbow fittings are required (PN – 20308).

Motor Doesn't Turn On

1. Check Dry Run Switch on the front of pump, if present. Press red button to reset. Correct the cause of dry run.
2. Check fuse or breaker and any control or wiring devices in line.
3. Motor starts when hit or tapped lightly - Sticking brushes or other brush problem. Inspect the brushes.
4. Remove the rear cover of motor to check connections. Check for voltage present at motor. If voltage is present, see next entry.
5. Check Thermal Overload Switch on rear of the motor. Bypass it by holding a piece of insulated wire across the terminals. If the motor runs (and is not hot) replace thermal switch. The Dry Run Switch may be tested in the same manner.

Pump Spins But Doesn't Pump Water

1. Check direction of rotation. If not clockwise (viewed from brass front-end) reverse motor polarity.
2. Check Prime - Open priming plug or valve and re-prime the pump. Check all the fittings, a pinhole leak in the suction pipe will cause loss of prime. Inspect, pressure-test, clean or replace the foot valve. Ensure no debris are trapped in the foot valve.
3. Polyethylene Pipe Fittings – Ensure fittings are tight. Gently heat with torch or hot water and retighten hose clamp with a wrench. Replace stripped clamps. Use stainless steel clamps.

Noisy Pump – A noisy pump indicates cavitation which can cause rapid pump wear.

Steady Buzzing sound – Indicates excessive suction. Check for any or a combination of the following:

1. High suction lift – mount pump as close to the water source as possible.
2. Undersized suction pipe.
3. Clogged filter – Fiber filter cartridges may be clogged and look clean (fine silt is in the fibers).
4. Clogged intake screen.
5. Soft, flexible hose on intake line may be crushed or kinked by suction – replace with rigid pipe material.

Unsteady buzzing sound – Indicates leak in suction line allowing air to enter. Try the following:

1. Check for bubbles in inline (transparent) filter or air in outlet water.
2. Check prime. Open priming plug or valve and re-prime the pump. Check all the fittings, a pinhole leak in the suction pipe will cause loss of prime. Inspect, pressure-test, clean or replace the foot valve. Ensure no debris are trapped in the foot valve.
3. Some inline filters may have a red push-button valve to release pressure for maintenance. If the filter is incorrectly installed (too high above the water source) the suction may pull the valve open and introduce air. To prevent this, seal the push-button with silicone sealant or epoxy, or replace the button with a bolt and nut, sealed with silicon and tightened down.
4. If no source of air leakage is present, water may have high concentrations of dissolved gases which release as bubbles in the suction pipe. Reduce suction lift if possible. Install an air chamber in the intake line, with a valve on top. Pour water in to replace air when problem reappears.
5. Turning the filter to a horizontal position will move the bubbles out of the flow path of the water. Do not turn the filter upside down, as this could induce dirt into the pump during filter change.

Noise and vibration in the pipes / Extreme vibration of the pressure gauge – One of four vanes in the pump is broken. The pump head must be rebuilt. There should be almost no vibration of pressure gauge needle.

Filter clogs frequently

1. Intake too close to the bottom of well, stream, tank etc. Raise it as high as practical to reduce intake of dirt.
2. Improve the development of the water source. Channel clean water into a settling tank and clean the tank periodically.
3. Install a larger filter or plumb two filters parallel to each other.
4. Clogged Intake Screen – The safety screen is located at the pump intake. Remove large nut (1300-series) or intake fitting (2500-series or Booster Pump) to inspect and clean the screen.
 - a. Install an inline filter and always keep spare filters on hand.
 - b. If the screen is clogged with fibers from the filter cartridge, use higher quality cartridges.
 - c. If screen is clogged with rust deposits, replace iron pipe or fittings with plastic, copper or brass.
 - d. If mineral or corrosion deposits are clogging the screen, install the filter as close as possible to the pump intake. Contact water professionals for type of pipe least susceptible to mineral accumulation and corrosion in local area.

Low Flow Rate / Pump Turns Fast and Draws Low Current – Pump is worn out from dirt, rust or other abrasive particles in water, or from cavitation, from running dry or age. Replace pump head.

Booster Pump Takes Excessive Time To Reach Cut-Off Pressure

1. If pump spins fast, it is worn out from dirt, rust or other abrasive particles in water, or from cavitation, from running dry or age. Replace pump head.
2. If pump rotation slows down as pressure builds, pump electrical wiring is too small. See Installation Section.

Low Flow Rate / Pump Turns Slowly and Draws High Current (may run hot and/or blow fuses) / Pump is Difficult to Turn

1. Excessive vertical lift, beyond the system's capacity: Exchange the pump head for a model with correct lift specifications or increase the size of solar array.
2. Misalignment of coupling shaft - Check rubber shaft coupler for damage.
3. Mineral Deposits - Turn shaft with two fingers. If difficult to turn, use vinegar to dissolve the mineral deposits in the plumbing. Remove pipes from the pump and allow solution to circulate through the pump by turning it backwards. Replace or rebuild the pump if deposits cannot be removed.

Pump Cycles On and Off in 20 Minute intervals (approximately) – Motor is overheating. Thermal switch on back of motor is working correctly.

Booster Pump - Standard Model may overheat if run continuously (periods over 20 minutes) at pressures exceeding 50 PSI. Observe the pressure gauge and open valve(s) for higher flow to drop pressure below 50 PSI, or reduce the pressure switch setting.

1. High current draw - See above.
2. Poor ventilation - Motor must have free air flow to prevent overheating. Do not wrap with insulation.
3. Motor is exposed to sun or other heat source.

Motor Smells or Excessively Hot to Touch – Bad Thermal Switch. The motor should shut off at approximately 140°F. Check for overheat damage. Replace the Thermal Switch.

Booster Pump Cycles On and Off Every Few Seconds – A pressure tank must be used with the system. See Pressure Tank under Pump Installation.

Booster Pump Turns on Periodically When No Water is Being Used

1. Water is leaking after the check valve (check valve must be installed at pump outlet).
2. Check valve leaks internally. Foot valve, if present, also leaks

Low Flow Rate / Pump turns Slow, Motor Cool

1. Voltage at motor measures lower than voltage at source. Power wire is undersized. Consult wire size chart.
2. See next entry.

Slow Pump Runs Slow or Stalls in Low Light (Array-Direct, Non-Battery System)

1. Solar array or wire is undersized.
2. Linear Current Booster or controller needed to prevent stalling when array current is less than pump requires. Contact dealer or Dankoff Solar.
3. Current booster not adjusted properly (if it has an adjustment). Set for peak performance in low light conditions. See current booster instructions.

Pump Will Not Turn – The shaft coupler can't be turned by hand. The fuse is blowing or breaker is tripping.

1. After a period of disuse or storage, the impeller may lock up. Using pliers on the shaft coupler, gently rotate the pump backwards (counterclockwise).
2. Debris is jammed in the pump. Disconnect the plumbing, pour water into outlet, and run pump in reverse (by reversing polarity). Watch for debris exiting inlet. Damage to the pump is likely.

Pump Emits Crunching Sounds, Black Material in Outlet – Internal parts are broken, either by debris in pump, severe freezing or external shock.

Water Damage, Motor Submerged or Dripped On – Inspect brushes and commutator. If in poor condition, the motor may need a rebuild (new bearings). In extreme cases the motor must be replaced. Contact Dankoff Solar support. Correct the cause of damage.

Rusty/Noisy Bearings

1. Pump head - Steel ball bearings are visible at pump head shaft. Rust caused by water drip or submersion. Pump head must be rebuilt to replace the bearing.
2. Motor - Replace with double sealed "R8" bearing (front) and "R6" (rear). These are common bearings available from automotive or electric motor suppliers, or directly from Dankoff Solar. A puller tool or a press is needed for removal.

Pump Frozen by Low Temperature / Blown fuse or circuit breaker tripped – Allow the pump to thaw. Observe performance. If the motor is damaged, replace or rebuild. Check all plumbing for damage and leaks and protect from future freezing.

Rubber Shaft Coupler Failure – Replace rubber "spider". Inspect the metal coupler halves for damage and replace if worn. These are common parts available from Dankoff Solar, electric motor shop, machine shop, or heating/air conditioning supply.

Motor Brushes – Motor brushes are carbon rods that make electrical contact with the spinning copper "commutator" on the motor shaft. The two brushes are accessible by the plastic screws near the rear of motor. Brushes must be unbound and slide in and out freely, a spring pushes the brush in as it wears.

Brushes must be at least 3/8" long (longer on motor larger than 5" diameter). They generally last about 5 years, unless the motor has been wet inside (see "WATER DAMAGE"). Retighten plastic screws gently!

1. Worn Brushes - Call dealer or Dankoff Solar for replacements.
2. Sticking Brushes - Inspect inside each brush holder with a flashlight. Clean if corroded or dirty. If brushes still don't slide in/out freely, very lightly sand the long sides of each brush.

3. Brush Springs Weak – If the spring looks discolored the motor may have overheated from a severe overload and lack of fuse protection. Replace the brushes. If the motor does not start, it must be replaced.
4. Broken Brush Holder - Replace the brush holder (contact Dankoff Solar).
5. Commutator - The commutator is visible through the brush holders or Booster Pump cooling slots. The commutator may be damaged by poor brush contact, overheating or water damage. The wear surface should be smooth, with a uniform brown color. Commutator damage may require resurfacing on a lathe. A local electric motor repair shop or automotive electric shop can perform these repairs.

9. MAINTENANCE

Internal Intake Screen – The pump has an internal metal intake screen. It will catch solids accidentally introduced during installation or filter servicing, dirt stuck inside the intake pipe before installation, and mineral deposits that may accumulate and flake off of the intake piping. External filtration is still required.

1300-SERIES SLOWPUMP has an angled extension with a large brass nut on the end. Remove the nut to inspect and empty the screen.

2500-SERIES SLOWPUMPS & FLOWLIGHT BOOSTER PUMP have a screen in the intake fitting. If signs of intake blockage are observed, inspect the screen. If solids keep accumulating, improve the filtration. See Section 1 for details about filters and cartridges.

Pump Head – Except for the internal screen, the pump head is maintenance-free. Do not remove its front plate or otherwise tamper with it. The pump head is not user repairable. It is easy to disassemble, but difficult to reassemble without special tools.

Water Filter – When a filter cartridge is becoming clogged the pump will emit an increasingly loud buzzing noise (cavitation). It is difficult to determine the condition by the appearance of the cartridge. Keep spare cartridges on hand. Cartridges can be purchased locally, or from Dankoff Solar (pack of two: PN – 11034). Do not use a carbon filter for this purpose.

30" Intake Filter – Cartridges vary slightly in outside diameter. If the replacement fits loosely into the end caps, wrap ends with cloth or tape to make a snug fit. If cartridge is too large to fit, peel away some fibers using a knife. The end caps must fit snugly or dirt will enter the pump (pack of 3 cartridges: PN – 11036).

Motor Brushes – Periodically inspect the motor brushes and measure their length (remove the black plastic screw heads near the rear of the motor). Motor brushes on most models measure 3/4", not including the rounded end. The 1/2 HP model (1400 or 2600 series, or any motor larger than 5" diameter) measure approximately 1 1/4" when new.

After inspecting a brush, replace it in the exact same position and tighten the plastic screw gently. Brushes should last approximately 5 years of daily running. Brush wear will not affect motor performance until contact is lost

MOTOR BRUSHES for 12V pumps: PN – 2528

MOTOR BRUSHES for 24V pumps: PN – 2529

For 1400 and 2600-series pumps (large blue motor), contact your Dankoff Solar dealer.

10. PUMP REPAIRS

FAILURES

Most failures involve the pump head, not the motor. The pump head may be replaced with simple hand tools (a 7/16" wrench and a 1/8" Allen wrench/hex key).

The pump head is not **user** serviceable. It is delicate and difficult to re-assemble. Disassembly of the pump head will void the warranty, and individual parts are not available. If the pump head has failed, it must be replaced with a new one or sent to Dankoff Solar to be rebuilt.

WARRANTY CLAIMS must include receipt to prove date of purchase.

TO SHIP PUMP TO DANKOFF SOLAR FOR REPAIR:

Please contact your Dankoff Solar dealer to set up a repair and receive an RMA number

(505) 471-2491

FAX (580) 225-1120

Email: support@dankoffsolarpumps.com

Have the MODEL & SERIAL NUMBERS available before initiating a return for repair.

WARRANTY

Dankoff Solar products are warranted to be free from defects in material and workmanship for ONE (1) YEAR from date of purchase.

Failure to provide correct installation, operation, or care for the product, in accordance with instructions, will void the warranty.

Product liability, except where mandated by law, is limited to repair or replacement, at the manufacturer's discretion. No specific claim of merchantability shall be assumed or implied beyond what is printed on the manufacturer's printed literature. No liability shall exist from circumstances arising from the inability to use the product, or its inappropriateness for any specific purpose. It is the user's responsibility to determine the suitability of the product for any particular use.

In all cases, it shall be the responsibility of the customer to insure a safe installation in compliance with local, state and national electrical codes.

ADDITIONAL DANKOFF SOLAR SURFACE PUMPS FOR LIFT AND PRESSURIZING:**SOLAR FORCE PISTON PUMP**

- 5-9 GPM to 230 FEET or to 100 PSI
- Extremely rugged and dirt-tolerant

SUNCENTRIC CENTRIFUGAL

- 5-70 GPM to 90 FEET
- Also for circulation for swimming pools, pond management, solar heating, and more

SOLARAM SURFACE PUMP

- 3-9 GPM to 960 FEET
- Ask your Dankoff Solar dealer or go to

SUBMERSIBLE PUMPS FOR SURFACE AND DEEP WATER LIFT AND PRESSURIZING:

SunRotor® Submersible Pumps, a division of Solar Power and Pump Co.

www.sunrotor.com

Dankoff Solar and Sunrotor are divisions of Solar Power and Pump Co.

301 West 12th Street

Elk City, OK 73644

(580) 303-4904

(866) 246-7652

Fax (580) 225-1120

www.Solarpowerandpump.com

11. NOTES TO INSTALLERS

The pump pulls water in by suction. The inlet plumbing must offer an unobstructed flow. The pump will be noisy if intake is restricted or blocked, or intake pipe is undersized.

The pump tolerates no solid debris.

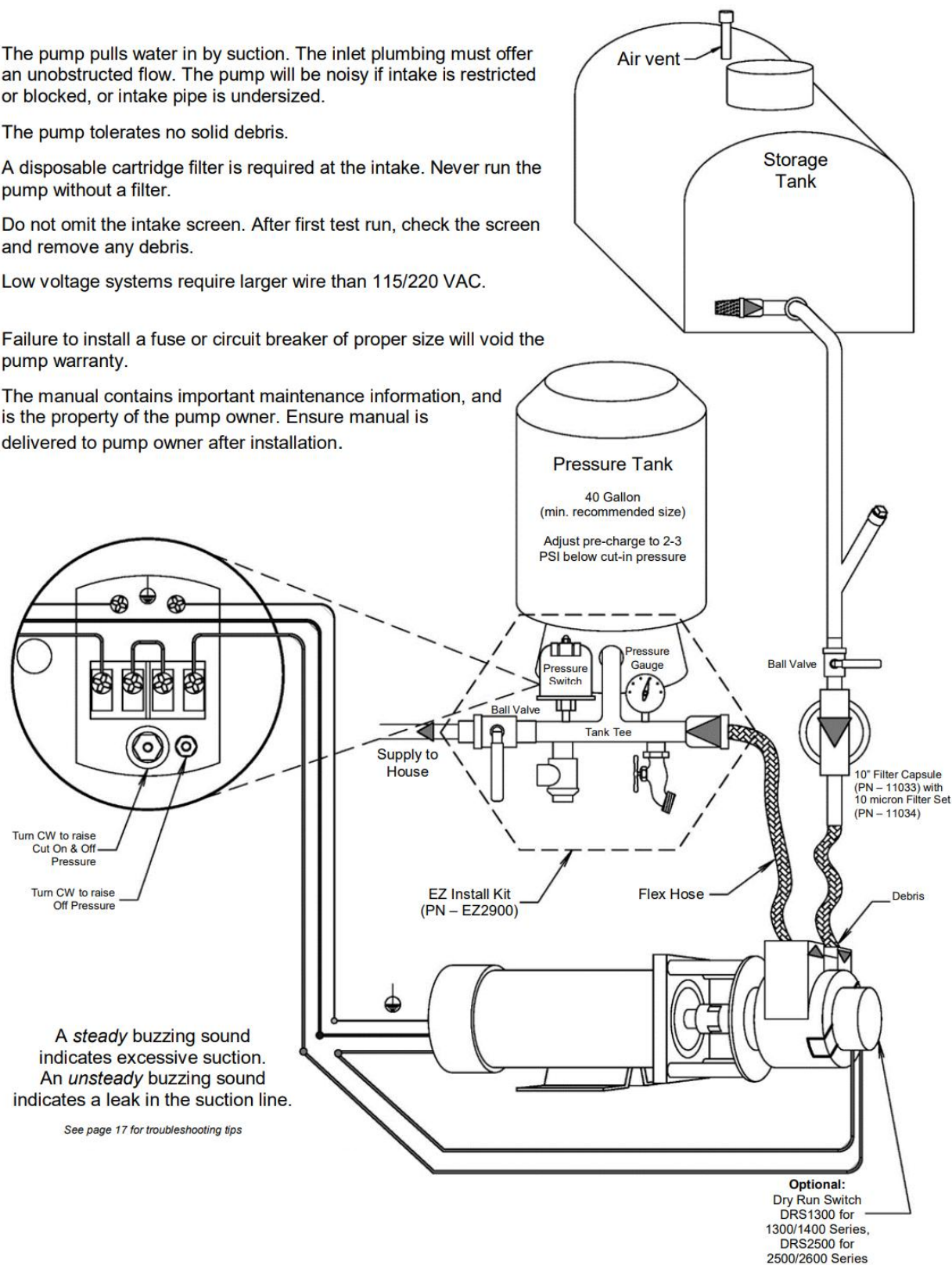
A disposable cartridge filter is required at the intake. Never run the pump without a filter.

Do not omit the intake screen. After first test run, check the screen and remove any debris.

Low voltage systems require larger wire than 115/220 VAC.

Failure to install a fuse or circuit breaker of proper size will void the pump warranty.

The manual contains important maintenance information, and is the property of the pump owner. Ensure manual is delivered to pump owner after installation.



The pump pulls water in by suction. The inlet plumbing must offer an unobstructed flow. The pump will be noisy if intake is restricted or blocked, or intake pipe is undersized.

The pump tolerates no solid debris.

A disposable cartridge filter is required at the intake. Never run the pump without a filter.

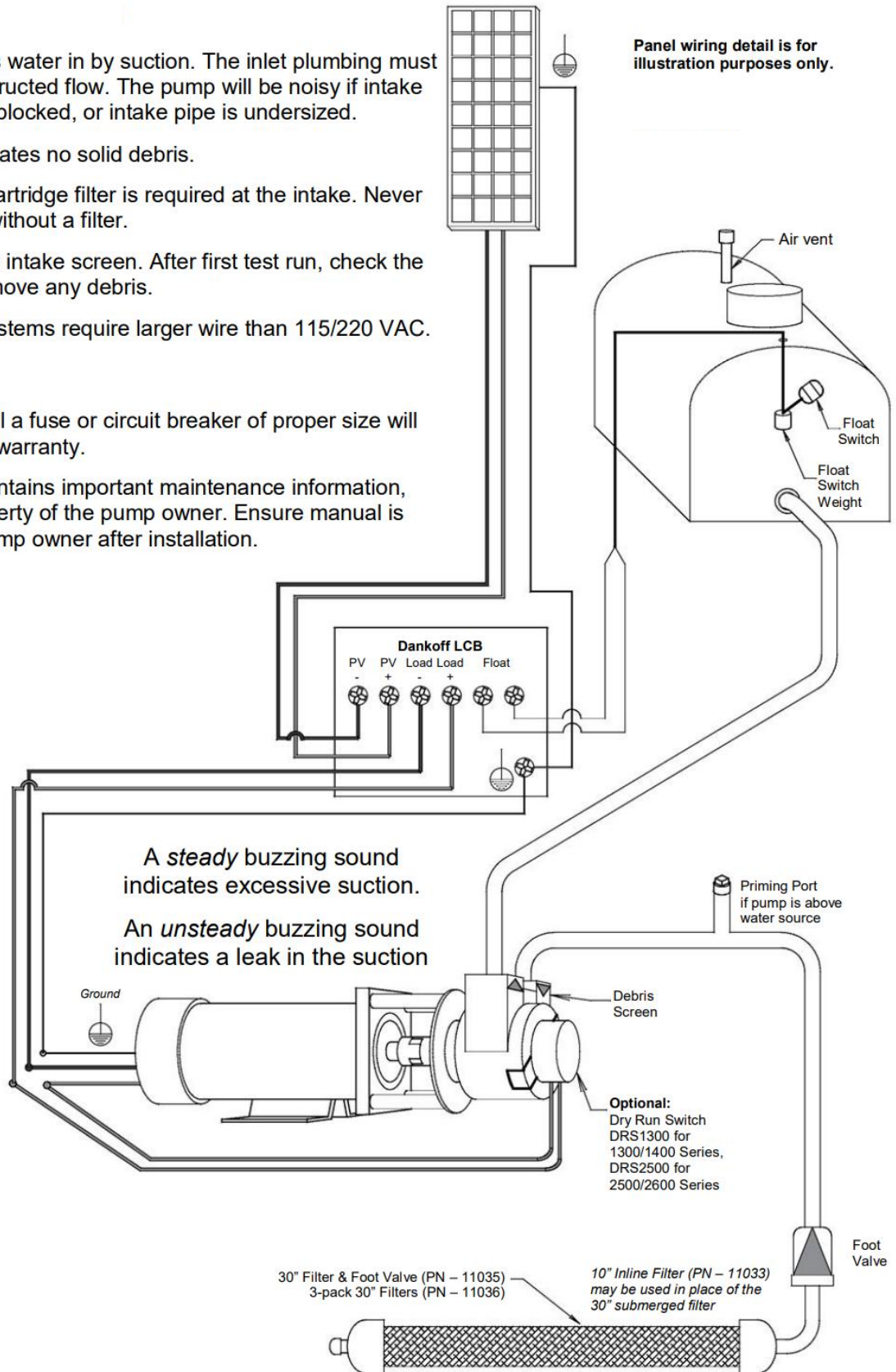
Do not omit the intake screen. After first test run, check the screen and remove any debris.

Low voltage systems require larger wire than 115/220 VAC.

Failure to install a fuse or circuit breaker of proper size will void the pump warranty.

The manual contains important maintenance information, and is the property of the pump owner. Ensure manual is delivered to pump owner after installation.

Panel wiring detail is for illustration purposes only.



A steady buzzing sound indicates excessive suction.

An unsteady buzzing sound indicates a leak in the suction

Optional:
Dry Run Switch
DRS1300 for
1300/1400 Series,
DRS2500 for
2500/2600 Series

30" Filter & Foot Valve (PN - 11035)
3-pack 30" Filters (PN - 11036)

10" Inline Filter (PN - 11033)
may be used in place of the
30" submerged filter